



MAP25

E
DS
SKIN
X



Semiautomatic MAP Tray Sealing Machine



WHAT IS MAP?

Modified Atmosphere Packaging, **MAP**, is a technology that has been developed to ensure that packaged food products stay fresh and attractive for as long as possible.

Everyone knows that a lot of factors cause food spoilage. The main causes is the growth of microbes such as bacteria, yeasts and mold. To keep food fresh for as long as possible without additives is our philosophy. While Sealing the food product in a package, containing gases in controlled proportions that makes slow down the process of oxidation and the growth of microbes.

This is the main idea of **Modified Atmosphere Packaging = MAP**.

Food is different - so is the gas composition used to pack different food products. Red meat needs high oxygen to maintain the red color, bread requires low oxygen to avoid mould and vegetables often need a three-gas mixture (gas flushing). Please ask for recommendation from your advisor to find the most suitable gas mixture (gas flushing) to perform better shelf life. Barrier films is more useful to prevent modified atmosphere from escaping or air getting back into the pack.

MAP Packaging ensures:

Longer shelf life

Keep the products flavor, color and fragrance.

Protection during transportation and storage.

Sterilization and protection for sensitive medical products.

Provides effective protection against environmental influences such as moisture, dust, dirt, oxidation and mechanical pressure.



Product	MAP Life	Standard Atmosphere Life
<i>Toast Bread</i>	2-3 months	10 days
<i>Cake</i>	40-60 days	10 days
<i>Patty</i>	6 weeks	1-2 days
<i>Pizza</i>	30 days	1-2 days
<i>Hamburger</i>	30 days	1 week
<i>Pita</i>	2-3 months	1 month
<i>Cheese</i>	6-8 days	3 days

We offers APACK Tray Sealers, Thermoformers and Vacuum Chamber Machines for high quality MAP packaging that listed below:

- MAP25 Series Tray Sealers
- autoMAP100 and autoMAP200 Series Full Automatic Packaging Lines.
- perFORMA Series Full Automatic Thermoforming Packaging Lines.
- VC600-VCM750 Vacuum Chamber Machines with Gas Flushing Option.

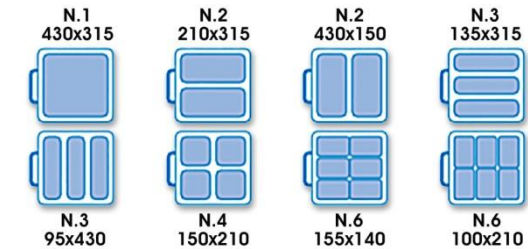


PRODUCT DESCRIPTION

MAP25 is:

- CERTIFIED WORLD INDUSTRY STANDARDS
- LOWER COST FOR INDUSTRIAL PRODUCERS
- HIGH-END QUALITY COMPONENTS
- COMPATIBLE REMOTE ACCESS VIA INTERNET
- EASY TO USE
- EFFECTIVE / VARIABLE / PROFITABLE
- FITS IN SMALL PLACES

MAP25 TOOL SET



APACK manufactures reliable machines have one particularly outstanding feature. We supply individual solutions via according your requested shelf life. Customized to your market requirements. Ensuring you receive a cost effective, efficient solution that operates profitably. Backed up by the support of our dedicated team and after sale support. We have built our reputation as the best service company in the industry based on demo, market test, service, training, emergency support, professional expertise and experience and of course the quality/reliability of our machines range.

We have been manufacturing and designing our machinery, down to the smallest component, using our own expertise and knowhow since 2008. The machines we have manufactured comply with international standards and certification.

MAP-25 is innovative designed by **APACK Team** for vacuum drawing and gas flushing in one go and sealing tray with top film while tray is under pressure.

MAP-25 is compatible for remote access option to control the **MAP25's** electric – electronic and mechanic system via internet.

Only one operator required (Except MAP25DS -Double Station- Model requires two operators).

MAP 25 tray sealer hermetically seals special plastic containers using a flexible film. While sealing, a good level of vacuum can be reached inside the container as well as the insertion of different types of inert gases.

MAP25 can handle also the entire production of most small and medium businesses in vegetarian or non vegetarian snack food, confectionery and fresh cut vegetables.

MAP25 has own Multi –Stage Oxygene adjustment software. With this software, MAP25 take all Oxygen progressively out from the package.

Semiautomatic **MAP25** thermal sealer unit is manufactured by high quality craft workmanship.

20 years of experiance to be exact, lies behind the **APACK** brand. We provide machinery and services to hundereds of companies in Turkey and abroad. We work in cooperation with over 800 scientists and technicians worldwide to innovate our machinery and solutions.

Your product is supposed to be presented as attractively and well-protected as possible.

APACK supplies a wide range of solutions for practically various requirements. Depending on the product, you have the choice of many different types of pack as far as the atmosphere is concerned. Longer shelf life thanks to **MAP Packaging**. Harmless inert gases – naturally present in the air that surrounds us – are fed into the pack after the evacuation operation and guarantee that the product has an extended shelf life and stays fresh longer.

MAP Packs from **APACK** make sure no pressure is exerted on the product, so that it can be presented particularly attractively. Soft, porous and cut products rest loosely in the pack and maintain their color and taste too. Exactly the way they should !

APACK not only offers the very best food manufacturing, processing and packaging machinery & functional packaging material but also the 'Total Processing Packaging' service & support that is needed for customers to get the most out of them.

TECHNICAL DETAILS

MAP25 Technical Details	
ENERGY	400V, 50Hz, 3/N/PE
POWER CONSUPTION	6.0 kw. Max.
VACUUM PUMP	60 m ³ /h
AIR CONSUMPTION	7 NL per cycle, 30 NL/minute, 6 bar
GAS PRESSURE	2-6 bar
CONTROL SYSTEM	24 PLC
OVERALL DIMENSIONS	650(W)x1090(L)x1720(H) mm.
WEIGHT incl.PUMP	200 Kg.
FILM WIDHT	470 mm. Max
FILM ROLL DIAMETER	76 mm.
CAPACITY	2-6 cycle/minute



The **MAP25** dimensions may change to depends on customer demands. The technical details table shows basic dimensions of MAP25 series.

The **MAP25** thermal sealer unit is a semi automatic machine. It is particularly adept in the food industry for vacuum and **MAP** packaging of various food products.

The **MAP25** tray sealer hermetically seals special plastic containers using a flexible film. While sealing, a good level of vacuum can be reached inside the container as well as the insertion of different types of inert gases.

The mass structure of MAP25 is manufactured by stainless steel. All parts of the unit allows easy frequent cleaning. Furthermore, the electrical system of MAP25 is completely waterproof permitting the operation of the unit in any environment or work condition.

The unit consists of one or more sealing tools for various formed and sized sealing trays.

The ease of changing tray sealing tools makes using the unit extremely flexible especially in companies where production output is diversified with different tray size and forms.

A large quantity of food products can be packaged with this machine either for immediate distribution or further thermal treatment such as freezing, pasteurization, etc.

TECHNICAL DETAILS

TRAY MATERIAL	
Mono Layer Trays	MONOPET – MONOPP – MONOPS – PVC&PAPER
Dual Ovenable Trays	DOT (Barrier Foam) -40/+200 °C
	CPET–APET–AMPET -40/+220 °C
	ALU (lacqured) 280 °C
Multi Layer Trays	PP/EVOH/PP PET/PE PVC/PE PS/PE PVC/PE/EVOH/PE
Green	PLA

FILM TYPE SUGGESTIONS	
Lid Films	OPET12/LLDPE100 OPET12/CPP70 OPET/pvdc12/LLDPE100 metOPET12/LLDPE OPA15/LLDPE70 peel & seal all type of tray
Multi Layer Films	OPET12/APA15/CPP60 OPET12/AL7/CPP80 OPET-ALOX12/PE70 peel OPET12/AL7/OPA15/CPP60 OPET12/metOPET12/LLDPE100
Dual-Ovenable Films	OPET Heat Sealable 30-50 micron
Coex Material	coexPA-PA-PE OPET12/coexPE-PA-PE OPET12/CoexPA-PE130 coexPA-EVOH-PE BOPP20/coexPE-EVOH-PE OPET12/coexPP-EVOH-PP



MAP 25 MODELS

The MAP25 serie have 5 different models:

MAP25 BASE MODEL

Base model of MAP25. Equipped with standard components. Supports sealing different types of tray and films. Include vacuum pump, gas flushing MAP tray sealer. Tool may change depends on customer demands.

MAP25-E EXTENDED

Extended model is designed for big size tray usage. APACK manufactures this model to different dimensions for customers demands and needs.

MAP25-DS DOUBLE STATION

Double Station model is designed for increase your production capacity. This model is manufactured on base model body combined with two drawer.

MAP25-SP SKIN PACK

Skin packaging process wraps the cover film itself firmly but gently around every contour of the product without distorting its shape inside the food tray. The machine create a vacuum skin consumer pack that fits around the product like a second skin. Skin packaging process ensures a long shelf life, giving the product a natural look, prevents juice migration, easy-peel corner for consumer convenience and guards against freezer burn during deep-freeze storage.

MAP25-X CUSTOM

This model is named Custom. If you have to use single, big and heavy trays for your product, this model is suitable for you. X model have tray conveyor unit named Butterfly.

MAP 25 DS DOUBLE STATION

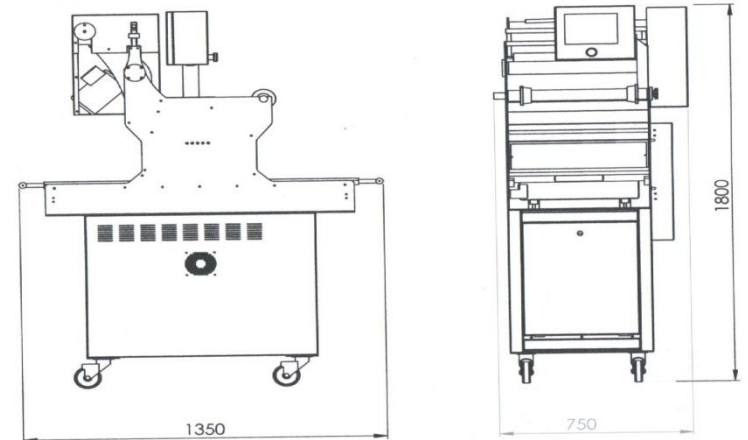


After a period of your business, the **MAP25's** production capacity not sufficient for your market. In this case, you may thinking about upgrade your machinery to line-type machines. But if the market conditions and your business pie not dependable, we've got another solution.

You may easily increase your production capacity with **MAP25 DS**. It is an economic machine that does not require more space and more budget as big machines. We designed **MAP25 DS** for that type of marketing conditions.

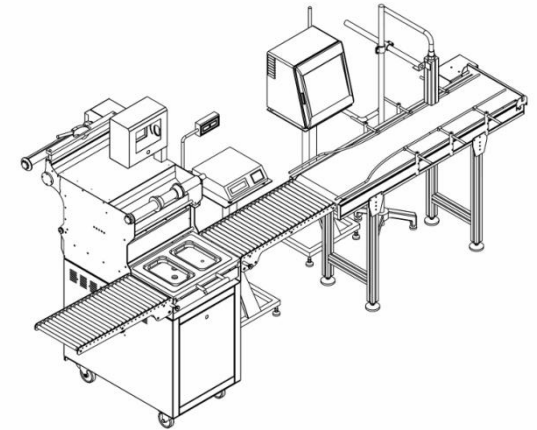
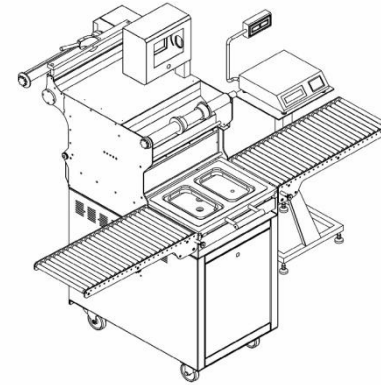
MAP25 DS based on standard MAP25 body, built with two stations. It has got all facilities same as MAP25. Hygienic, easy to clean, easy to maintenance, easy to operate, can work 7/24, full control with 24 plc.

MAP25 DS needs two operators for production. They works sequential. When one of the operator push the drawer into the seal station for sealing, other operator put the trays over tool and get ready them for sealing. You can easily seal up to 4000-5000 products for one shift.



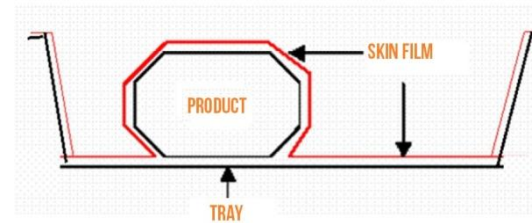
MAP 25 X BUTTERFLY

Custom models are developed according to the customer's demands. MAP25 X - Butterfly is a practical solution that designed as a result of demand from our customers. In this way, the MAP25 serie machines has abilities to get closer to big line machines with new plug-ins. So now we can add a scale, a barcode reader or printer units, even collecting tables beside MAP25. MAP25 X-Butterfly has conveyors that easily transport single, large-sized and heavy-duty products to the sealer unit. After sealing process, heavy or bulky items can easily transfer to the boxing section. MAP25 provide you a low cost but very useful MAP packaging solutions.



MAP 25 SKIN

This type of model innovated for skin packaging. MAP25 have developed according to the needs of the industry. One of the modern packaging methods that can be performed in Skin Packaging. In this technology, top film cover the product as it's shape like vacuum packaging without deformation of product. We can cover from 10mm to 35 mm height.



MAP25 APPLICATIONS

Turnkey Packaging Solutions is our profession in accordance with the demands of our customers besides the supply of machinery production and packaging film. We are so responsive for sharing our experience about packaging technologies.

Nowadays, customers are more cautious of quality than ever before. Thus, the demand for good, high quality, minimally processed and attractively packaged food is rapidly increasing. As a result, food manufacturers and producers have to work hard to meet this demand. People want freshly produced convenience food, often as smart ready-to-eat meals – as if they had been freshly prepared directly from the kitchen.

The race against time begins the moment fruit is picked, the corn is harvested or the fish is caught. From precisely that point on, natural deterioration and spoilage constitute a risk to the quality and shelf life of the food. Threats to product freshness, such as hygienic conditions while processing and temperature issues are things that must be taken into account. That is why the food packaging process as well as the package itself is crucial to freshness and quality.

As a country the Turkey leads the world in packaging innovation, demonstrating continuous excellence in both design and production. However, whilst this success story is one to be proud of, the impact of food packaging on the environment and society as a whole remains firmly under the spotlight.

With increased consumer consumption and sales growth, retailers are facing mounting pressure to make better use of packaging to keep food fresher for longer, as well as to educate customers about the vital role packaging plays in this process

The new packaging Technologies provide opportunities for environmentally friendly and cost effective production, together with efficient distribution and waste control. **APACK** focus on products and packages that are convenient for consumers without chemical preservatives.





MAP25 APPLICATIONS





APACK Ambalaj Makine Sanayi ve Tic.Ltd.Sti.

Ferhatpasa Mahallesi 22.Sokak No.43 34888 ATASEHIR ISTANBUL – TURKEY
info@apack.com.tr Tel: +90 216 661 33 71 Fax +90 216 661 33 70 www.apack.com.tr

